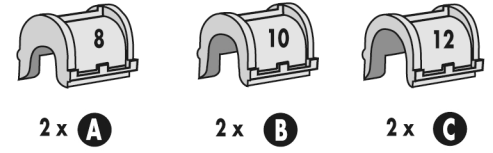


VARIO PS QL2.1

ORTLIEB WATERPROOF

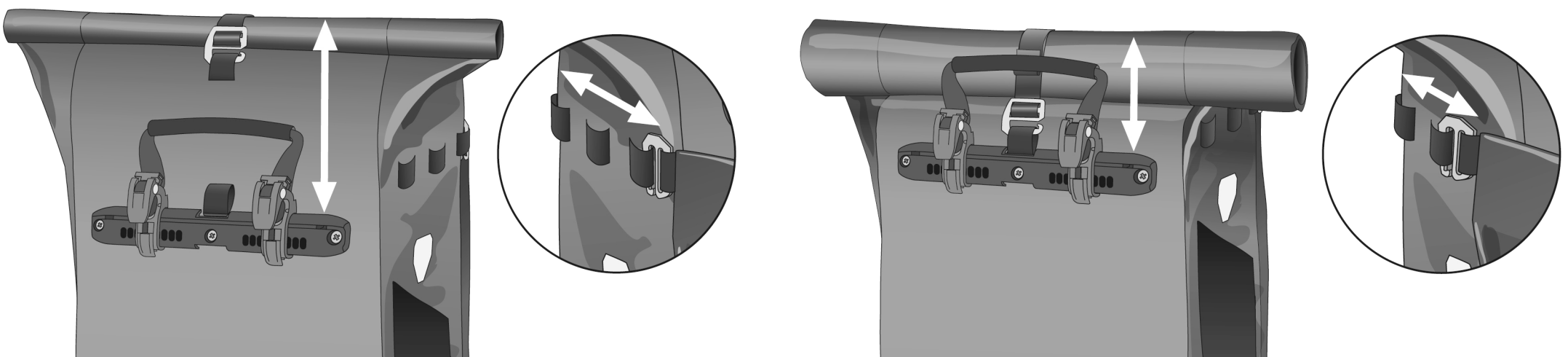
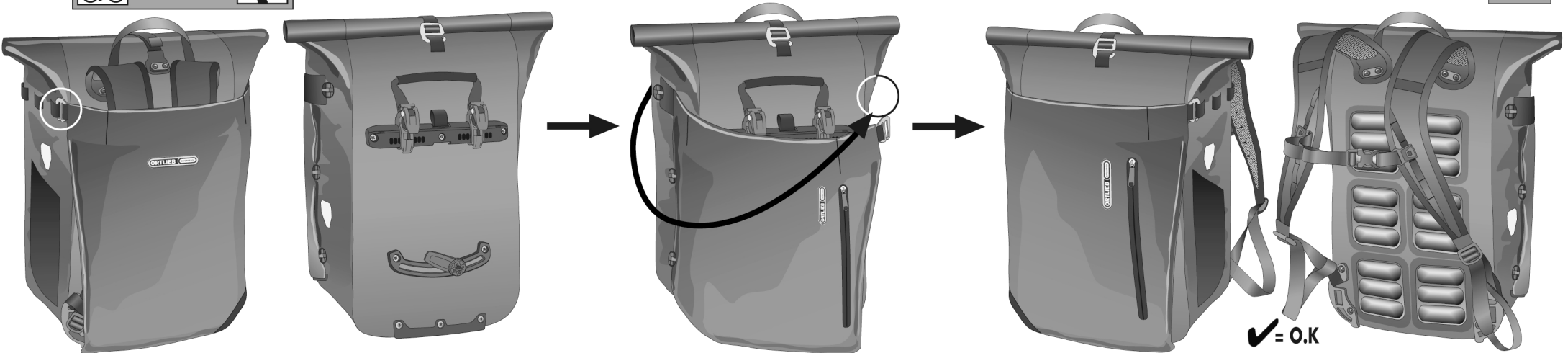
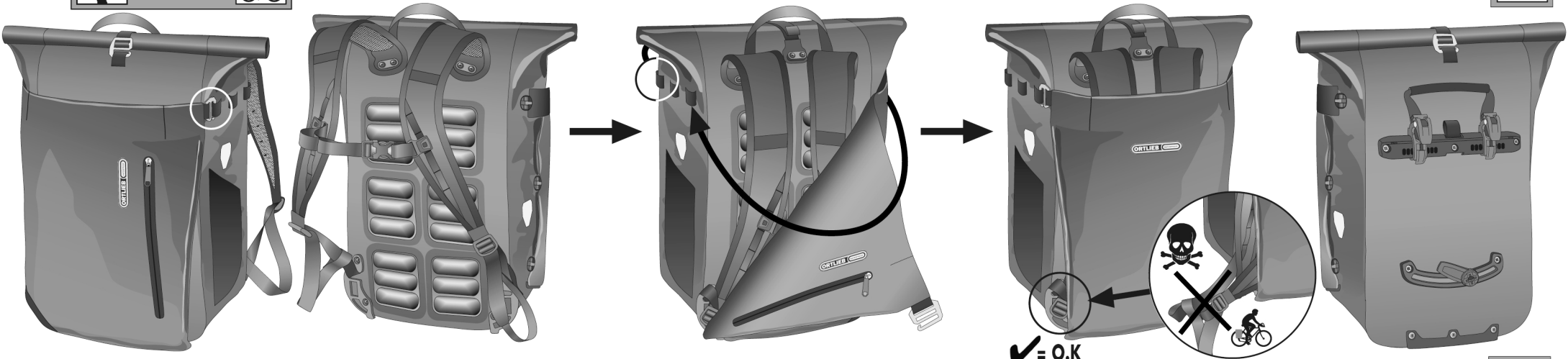
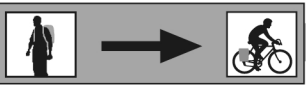
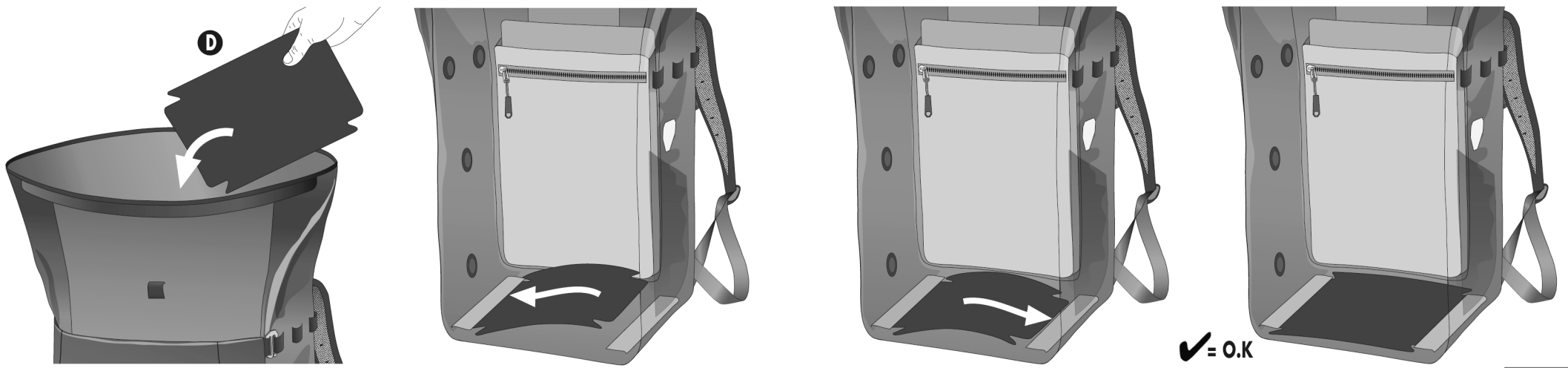
- DE MONTAGEANWEISUNG
- GB ASSEMBLY INSTRUCTIONS
- FR INSTRUCTIONS DE MONTAGE
- IT ISTRUZIONI DI MONTAGGIO
- NL MONTAGE HANDLEIDING
- DK MONTERINGSVEJLEDNING
- ES INSTRUCCIONES DE MONTAJE
- SE MONTERINGSANVISNING
- NO MONTERINGSANVISNING
- FI ASENNUSOHJEET
- PL INSTRUKCJA MONTAŻU
- JP 装着方法



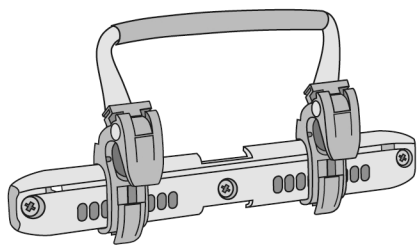
2 x A 2 x B 2 x C



1 x D



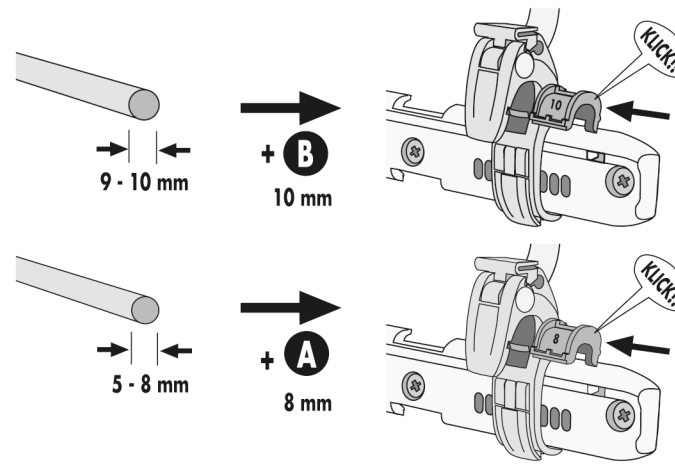
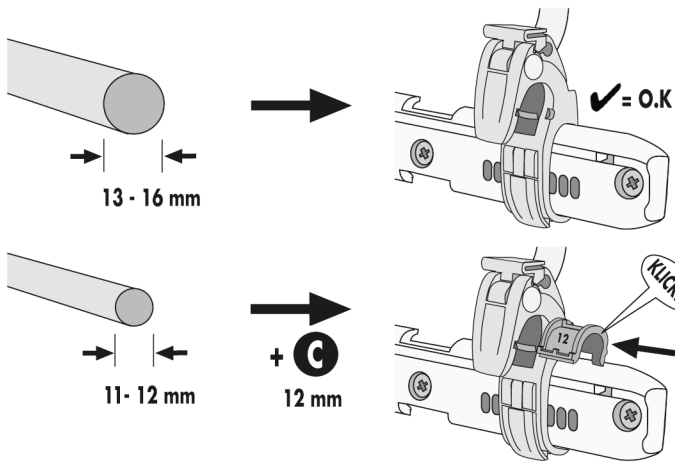
QL2.1.



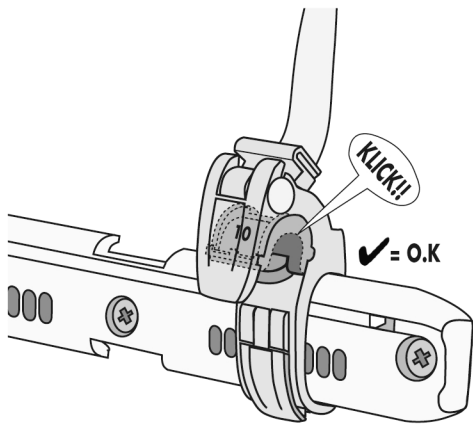
= **A** 8 mm = **B** 10 mm = **C** 12 mm

Anti-Scratch function

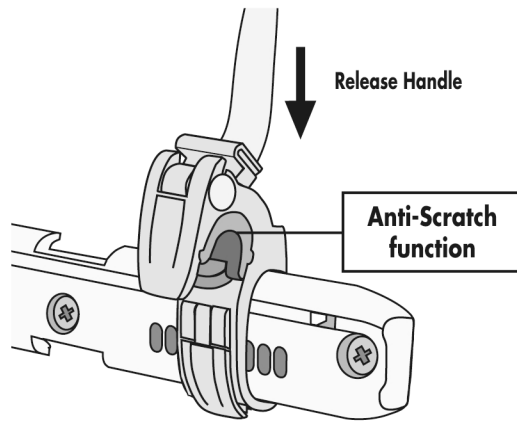
A



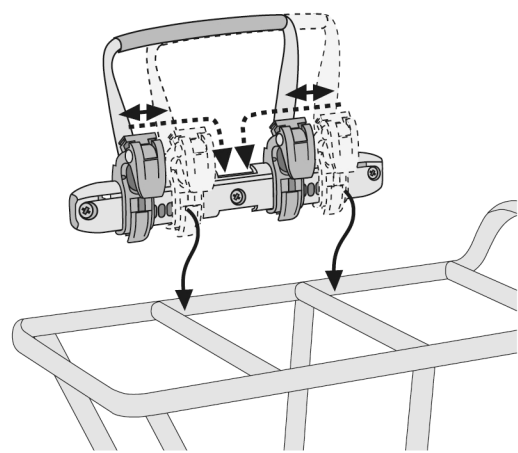
C



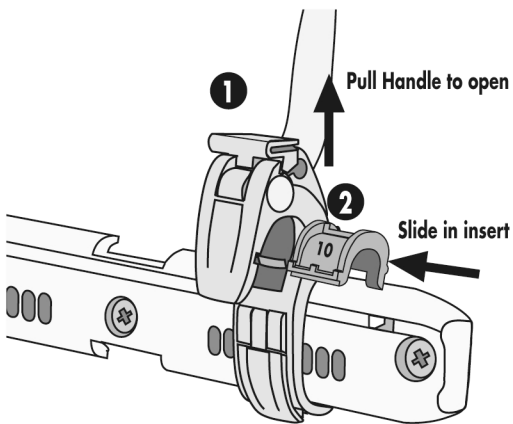
D



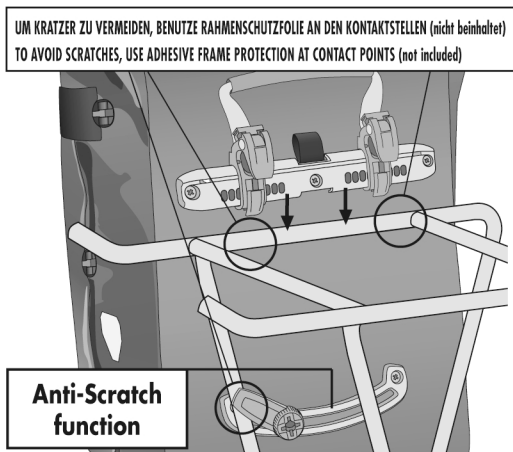
E



B



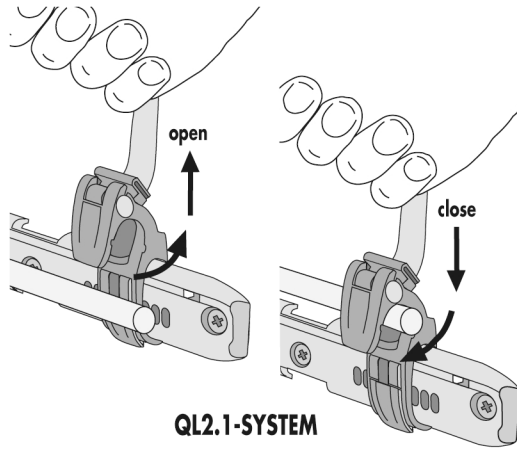
G



UM KRATZER ZU VERMEIDEN, BENUTZE RAHMENSCHUTZFOLIE AN DEN KONTAKTSTELLEN (nicht beinhaltet)
TO AVOID SCRATCHES, USE ADHESIVE FRAME PROTECTION AT CONTACT POINTS (not included)

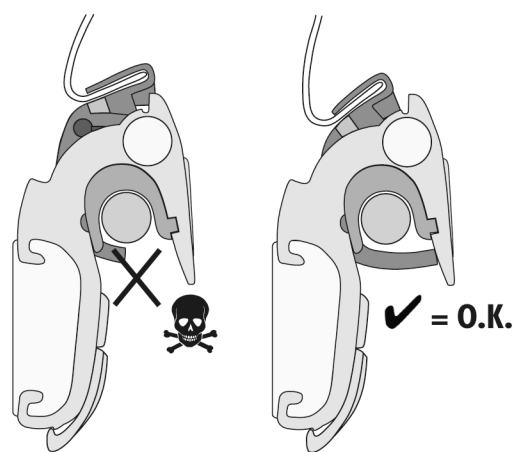
Anti-Scratch function

H

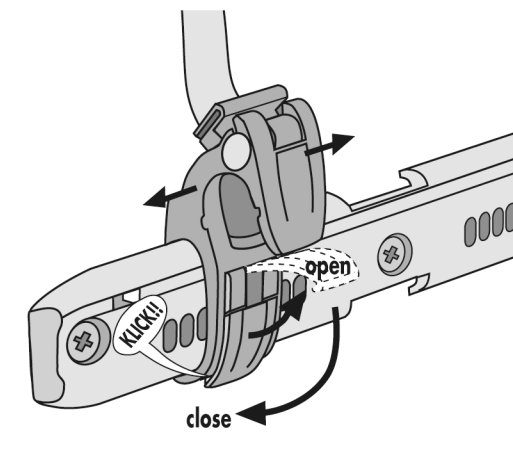


QL2.1-SYSTEM

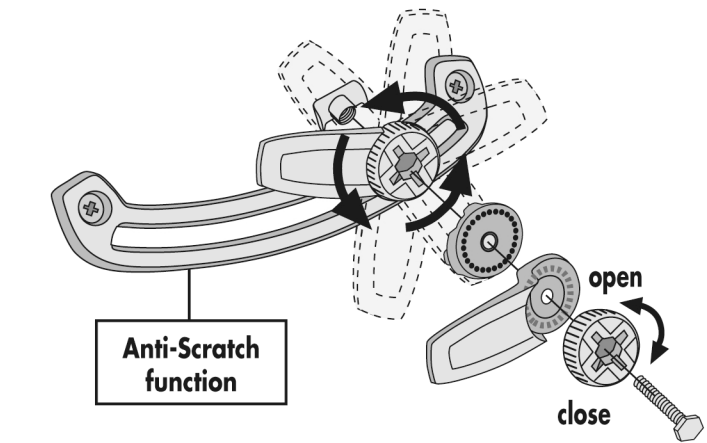
I



F

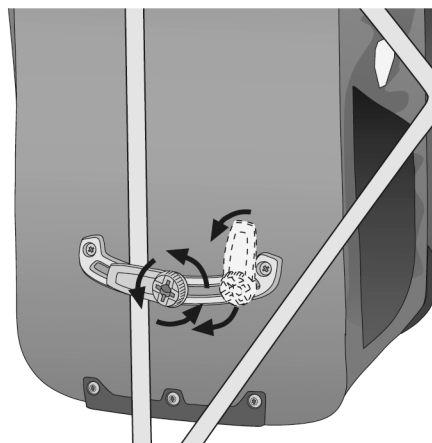


J

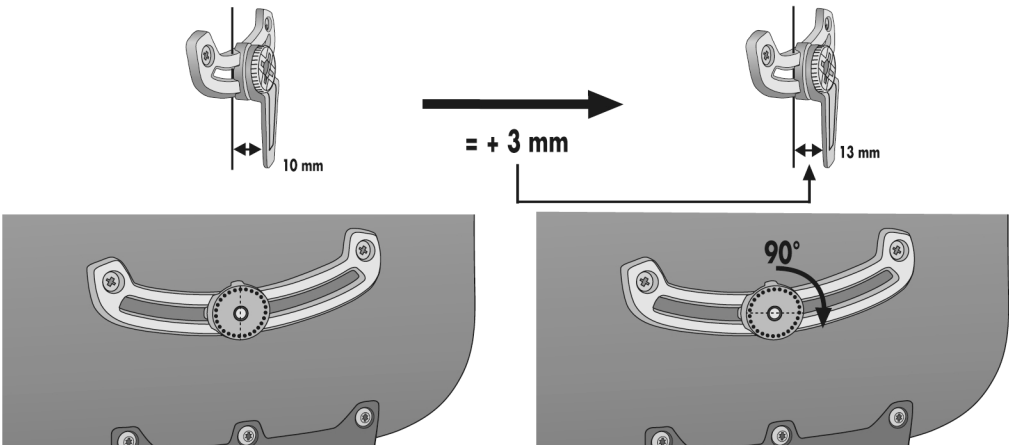


Anti-Scratch function

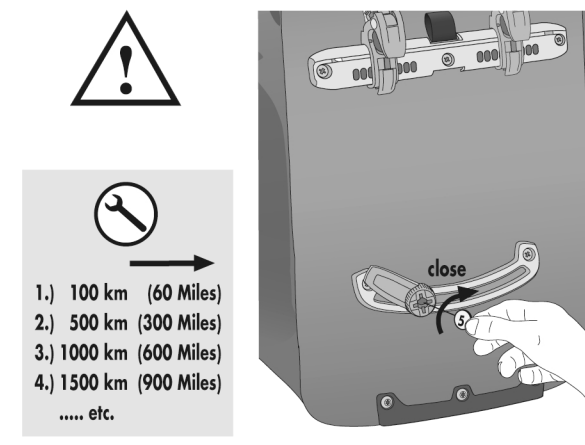
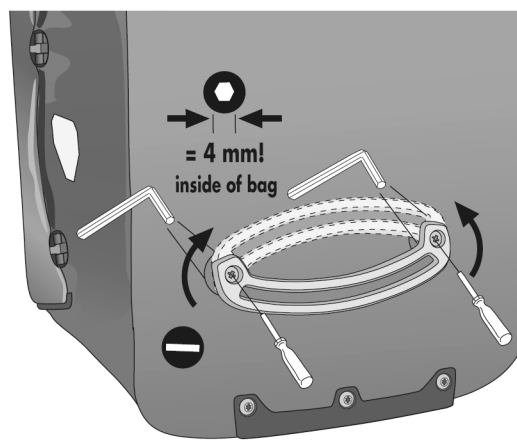
K



OPTION 1



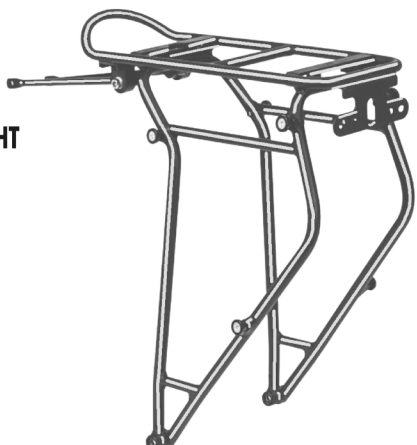
OPTION 2



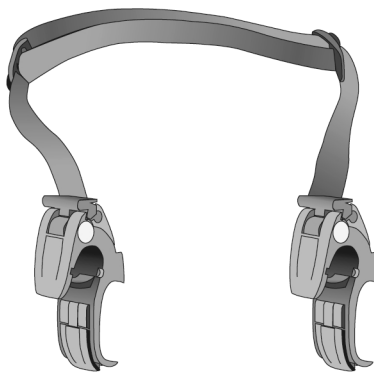
- 1.) 100 km (60 Miles)
- 2.) 500 km (300 Miles)
- 3.) 1000 km (600 Miles)
- 4.) 1500 km (900 Miles)
- etc.

ACCESSORIES

- = + # F78103 RACK THREE
- = + # F78104 QUICK RACK
- = + # F78105 QUICK RACK LIGHT



- = + # E211 QL2.1 MOUNTING HOOKS (18 mm) AND ADJUSTABLE HANDLE



- = + # E193 QL2.1 MOUNTING HOOKS (20 mm) AND ADJUSTABLE HANDLE

